



**EURO-LOCKS**  
LOCKING SYSTEMS FOR INDUSTRY



DIGITAL LOCKS



## DIGITAL LOCKS FROM EURO-LOCKS

Designed to complement our traditional locking products, the Euro-Locks range of digital and electronic locks are an ideal solution for your locking requirements.

With many different designs and features, these advanced locking systems offer convenience and reliability for any commercial or industrial application.

The digital and electronic locks we offer eliminate the need for user keys and so vastly reduce associated costs. The wide range of functionality these locks offer means users have increased flexibility in the control and access of their personal storage and wider environment. They can help to facilitate flexible working and hot desking, which are essential tools in the modern workplace.

Our locks are commonly used on applications such as lockers, wooden office furniture, metal office furniture, enclosures and postal and delivery systems.

The Lowe & Fletcher Group has been designing, manufacturing and supplying locking systems for commercial and industrial applications since 1889. Call today and speak to the experts.

Horizon  
digital combination locks

Pulsar  
RFID locks

Zenith  
digital combination locks

Eclipse  
digital combination locks

Gemini  
digital and mechanical locks





Product ID: 3950

## DIGITAL COMBINATION LOCK

The Horizon digital lock is a slimline, small footprint lock with an ultra-modern look and feel. Designed for use on lockers, cabinets, delivery boxes and general enclosures, it is easy to install and simple to operate. The lock has an impressive range of advanced features including: remote management of lock codes, audit trail and a cloud based configuration portal.

The pop-out handle offers additional security and the coloured indicator ring shows at a glance if the lock is in use or available. The unique mechanical override key permits managerial access in the event of an emergency and an impressive range of custom colours will complement any environment.

### Standard Features

- Vertical, left and right hand fixing
- Audible button tones
- Flush or surface fixing
- Auto unlock/lock
- 20mm or 24mm spindle length
- ADA/DDA compliant
- Public, Private, Multiuser and Remote Allocation operating modes
- Standard CR123 lithium battery
- Available in black or white as standard
- Secure pop-out turn handle (flush when locked)
- Custom colours available on request
- Coloured indicator ring
- Mechanical override lock
- LED battery condition indicator



Product ID: 3786

## CONTACTLESS LOCK

The Pulsar RFID digital lock provides contactless RFID locking in a slim and attractive footprint and utilises the high strength benefits of the synthetic material Grivory.

Manufactured in the UK, Pulsar is compatible with most common standards including RFID and NFC and comes with a wide range of accessories and options, making it simple to upgrade existing installations where required.

Typical applications include commercial and office environments, lockers and enclosures.

### Programming Options

- Change Master Card
- Add User Card
- Delete all User Cards
- Delete single User Card with User Card
- Delete single User Card without User Card
- Set Private Mode
- Set Public Mode
- Set audio
- Auto unlock mode
- Auto lock mode

### Standard Features

- Black lock and escutcheon
- Mechanical override lock
- Wide variety of cams
- Battery condition indicator
- 20mm or 24mm spindle length
- 2 x AA batteries (included)
- Vertical, left and right hand fixing

### Optional Features

- Customised logo
- Alternative finishes to escutcheon
- Pre-programmed modes and card installation





Product ID: 3780

## DIGITAL COMBINATION LOCK

With a solid zinc alloy housing, ten-digit keypad, multiple fixing points and a secure key override as standard, the Zenith digital lock is the perfect choice for a wide variety of applications.

The Zenith range of locks is truly versatile and includes flush and surface mount form, a slam bolt closing option, a lock that is designed specifically for use in wet and chlorinated areas and an ADA compliant lock.

All of these locks can be used with the RAS (Remote Allocation System) which enables you to remotely manage access to the locks without the need to go to site. For further information on the RAS system, please see page 14. Supplied with a wide choice of cams, this lock is suitable for numerous applications including lockers, cupboards, medical cabinets, furniture and other enclosures.

### Standard Features

- Black or silver colour
- Mechanical override lock
- Two or three point fixing
- Wide variety of cams
- LED indicator lights
- Audible keypad
- Battery condition indicator
- 8-digit master code
- 6-digit sub-master code
- 4 or 6 digit user codes
- Private or public user modes
- 20mm or 24mm spindle length
- Auto unlock mode
- Auto lock mode

- Technician mode
- 2 x AA batteries (included)
- Up to 80,000 cycles per pair of batteries
- Vertical, left and right hand fixing

### Optional Features

- Can be used with coin operated locks
- Available with Remote Allocation System (RAS)
- Slam bolt
- Door open alarm
- Alternative colours
- Pre-programmed modes and codes
- Wide variety of cams (including 3 point)
- Customised logo



## THE ECLIPSE FURNITURE LOCK

This innovative digital combination lock can be retro-fitted to office furniture and provides a clear upgrade path for new and refurbished office furniture. Working with a removable cylinder, the lock fits neatly into the aperture left in the furniture when the old cylinder is removed.

The lock is also ideal for use in modern office environments where employees work flexibly and move around different areas or sites and do not have allocated desks.

Personal and temporary storage for employees' belongings and delivery of mail can be provided by banks of lockers as well as traditional pedestals.

Featuring a solid zinc alloy housing, ten-digit keypad, multiple fixing points and a secure mechanical key override, this digital combination lock is the perfect choice for any office environment.



Product ID: 3760

### Standard Features

- Retro-fits to existing systems which incorporate a removable cylinder
- Simple fitting to new furniture
- Easy to fit with adapter and two screws
- Vertical, left and right hand fixing
- Mechanical override lock
- LED Indicator lights
- 1 x AAA Battery (included)
- Battery condition indicator
- 8 Digit master code
- 4 Digit user code
- Black or silver colour
- Private or public user modes
- ADA/DDA compliant





## NO MORE LOST KEYS

Manufactured in the UK to exacting standards, the Gemini is available in either digital or mechanical form. Both versions share the same profile and fixing template, giving maximum flexibility and choice at the point of installation.

A truly adaptable solution. This innovative lock range is available in both flush and surface mount form and in a choice of standard or custom colours. The small footprint and option of vertical or horizontal orientation make Gemini the perfect choice for a wide range of applications, including lockers, cabinets and cupboards.



Product ID: 3700



Product ID: 2700

### Standard Features

- Black or silver colour
- Flush or surface mounting
- Vertical, left and right hand fixing
- Four digit User Code
- Public or private modes
- LED indicator lights
- Battery condition indicator
- Mechanical override lock

Product ID: 3700

### Standard Features

- Black or silver colour
- Flush or surface mounting
- Vertical, left and right hand fixing
- Four digit User Code
- Lost code finder key
- Easy code change

Product ID: 2700

## RELATED PRODUCTS

# RAS

## REMOTE ALLOCATION SYSTEM (RAS)

The RAS system is a simple and secure solution that allows you to remotely manage access without the need to go to site. It gives the system manager the ability to assign user codes from a remote location using an online database. This dispenses with the need for users to carry keys and reduces running costs by removing the need for service calls to change lock codes locally.

Management of the locks is via a simple web-based system. This can be accessed from any location with the usual range of desk based and hand-held devices. If the organisation is managing multiple installations, all of these are controlled from this one convenient website.

Once online, the manager is able to see at a glance which locks are currently available and allocate these to new users. All of this at a push of a button, allowing the user immediate and simple keypad access without the need for a key.

### Typical applications include:

#### Business

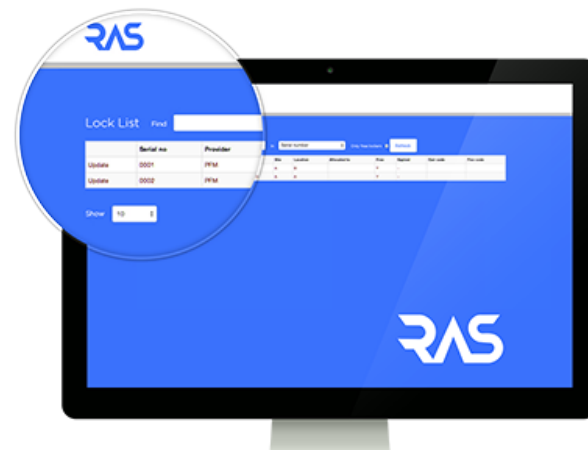
Flexible working environments and 'hot desking'

#### Leisure

Hotels, spas, gyms and locker rental

#### Education

Locker rental and user management



## COMPARTMENT LOCKING SYSTEM (CLS)

The electronic latch is a versatile and reliable addition to any access control and CLS system and simply requires an electronic pulse to unlock the unit. The lock is fitted to the interior of the furniture and can integrate with existing systems, or be used as standalone. It can be easily installed into wooden and metal enclosures for use in applications such as personnel lockers, office furniture and postal

and delivery access systems. With a tough ABS moulded body, mechanical key override and growing range of striker designs to choose from, this slam-to lock latch is the clear choice for safety critical installations. With a simple push to lock action, the lock can be operated using an i-button, proximity card or key pad.

### Standard Features

- Push-to-lock, electronic release
- Releases under load, burst pressure of up to 10 Nm. Pull out 2,500 Nm
- Mechanical key override
- Tough ABS moulded body
- Compact slim line fixing
- Integrates with existing electronic access control systems. I button, proximity card or keypad actuation
- Remote access via network controller
- Closed loop electronic feedback
- Operates with 12v, 0.5A - 1 second pulse

### Networking Features

- Connecting circuit boards
- Looms
- Latches
- Software
- Touchscreen interfaces

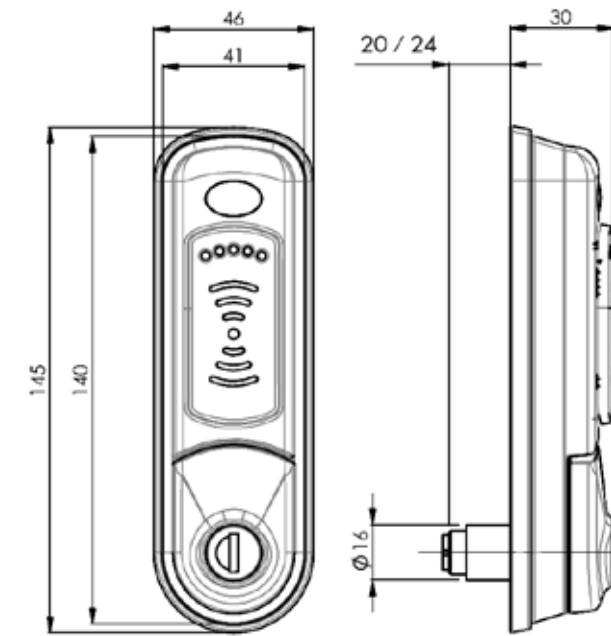




## TECHNICAL APPENDIX

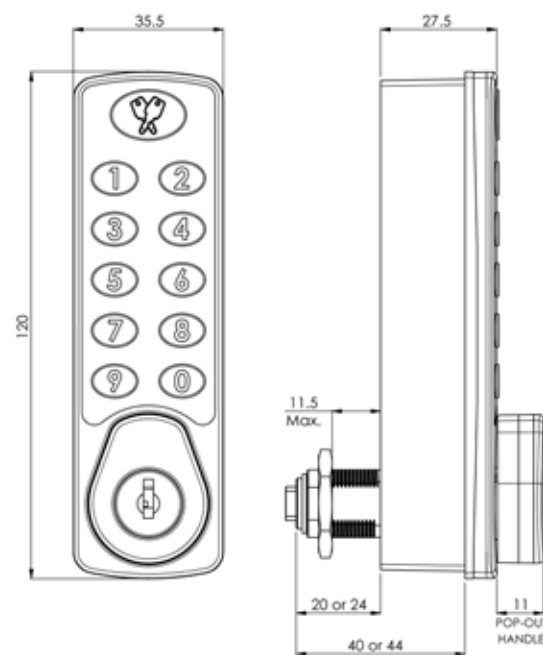
This section contains basic technical information and drawings related to the products featured. For more detailed information on these products please contact us on **+1 (616) 994 0490**.

Pulsar  
RFID lock



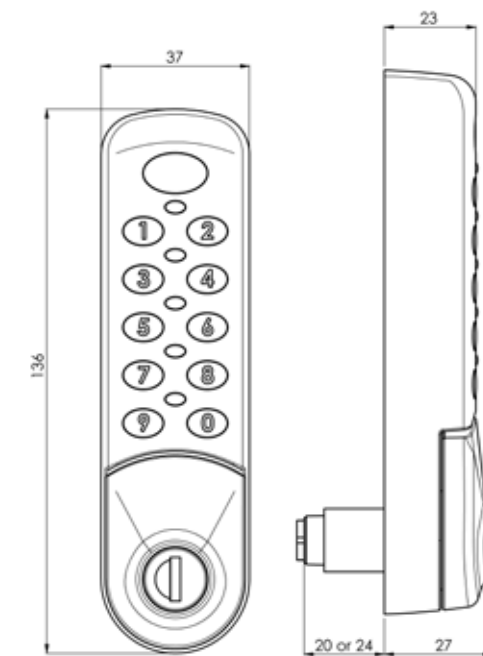
Product ID: 3786

Horizon  
digital combination locks



Product ID: 3950

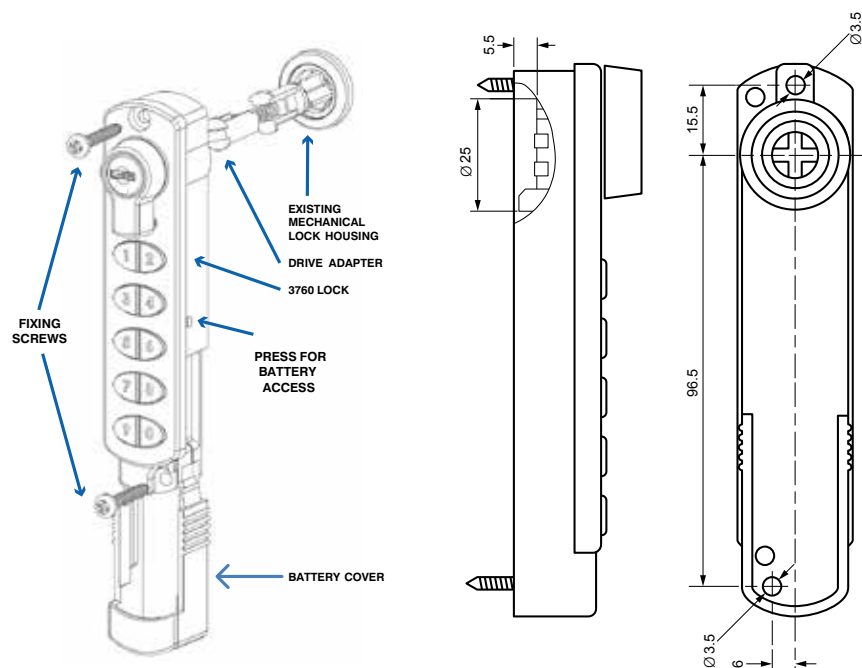
Zenith  
digital combination locks



Product ID: 3780

# Eclipse

digital combination lock



Product ID : 3760

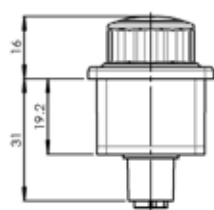
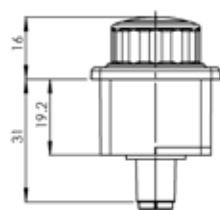
## ABOUT US

Euro-Locks Inc is a leading global manufacturer of locking systems for industry. You can buy from Euro-Locks with confidence knowing that:

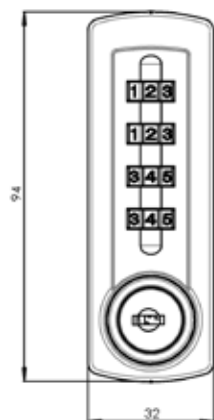
- We manufacture over 65 million locking systems annually from our European and UK factories
- We offer a vast range of quality locking solutions to a highly diverse customer base
- We work closely with our customers to design bespoke locking solutions specific to their exact requirements
- We can supply standard or bespoke products in high or low volumes
- We have a dedicated team with many years' experience in the locking systems industry
- We have made locks since 1889 and are a sixth generation family owned business

# Gemini

digital and mechanical locks



Product ID: 3700



Product ID: 2700

## Please explore our other products



Camlocks



Pin Tumbler Locks



Coin Locks



Mechanical Combination Locks





Euro-Locks, Inc.  
124 James Street  
Holland MI-49424

T: +1 (616) 994 0490  
F: +1 (616) 994 0480  
E: [sales@euro-locks.us](mailto:sales@euro-locks.us)  
W: [www.euro-locks.us](http://www.euro-locks.us)

**L&F** A Lowe & Fletcher Group Company